



# HEAVY DUTY POST HOLE DIGGER



**AgKNX Model 1500 Digger**

## **OWNER'S MANUAL**

### **ASSEMBLY & OPERATING INSTRUCTIONS**



***THIS SAFETY ALERT SYMBOL IDENTIFIES IMPORTANT SAFETY MESSAGES IN THIS MANUAL. FAILURE TO FOLLOW THIS IMPORTANT SAFETY INFORMATION MAY RESULT IN SERIOUS INJURY OR DEATH.***

***ALL OPERATORS MUST READ AND UNDERSTAND THE WARNING IN THIS MANUAL PRIOR TO OPERATING***

# Table of Contents

	Page(s)
Important Safety Information .....	1-4
Intended Use .....	1
Personal Protective Equipment .....	1
Safety Decals .....	1-3
General Safety and Preparation .....	3
Operating Safety .....	3-4
Repair and Maintenance Safety .....	4
Assembly Instructions .....	5
General Maintenance .....	6
Operating Instructions .....	6
Parts List .....	7
Parts Breakdown Illustration .....	8
Cutting Edges and Point Parts List .....	9
Driveline Parts List .....	10
Notes .....	11-12
Specifications .....	13
Ordering Information .....	13
Warranty Registration .....	14



# IMPORTANT SAFETY INFORMATION



**WARNING:** Read and thoroughly understand all instructions and safety information before assembling or operating this post hole digger. Failure to do so may cause serious injury or death. Do not allow anyone to operate this post hole digger who has not read this manual. As with all power equipment a post hole digger can be dangerous if assembled or used improperly. Do not operate this post hole digger if you have doubts or questions concerning safe operation. Call our customer service department at [info@tooltuffdirect.com](mailto:info@tooltuffdirect.com) to address these concerns.

*Si no entiende ingles, se prefiere que busque alguien que interprete las instrucciones para usted.*

## INTENDED USE

This product is designed to dig holes in the soil when attached to the 3-point linkage system and power-take-off of a tractor.

It is **not** intended for any other use. Using the product for anything other than digging holes could result in serious injury or death.

## PERSONAL PROTECTIVE EQUIPMENT

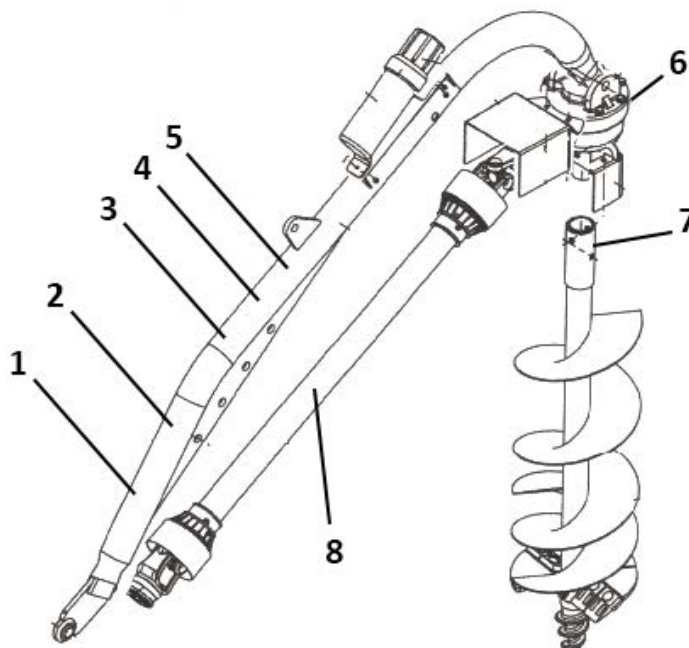


**ALWAYS** use appropriate personal protective equipment such as protective eyewear, earware, gloves, safety shoes and hard hat when operating this post hole digger.

**NEVER** wear loose clothing or jewelry that could become entangled in the auger or driveline.

## SAFETY DECALS

**ALWAYS** replace missing or defaced decals. Reorder from AgKNX, 15000 W. 44th Ave. Ste B, Golden, CO 80403 or call 720-437-7640.



Note:  
Not a decal. Model 1000 Shown. Decal locations are same on Model 650.



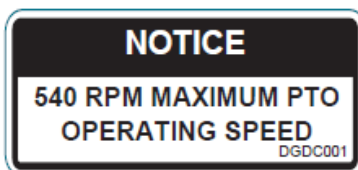
# IMPORTANT SAFETY INFORMATION

Find the decals shown on the next pages and ensure your digger has them. Read and understand the warnings on the decals.

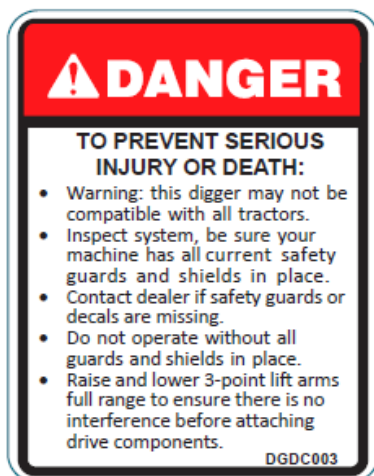
**ALWAYS** replace missing or defaced decals. Reorder from AgKNX, 15000 W. 44th Ave., Ste B, Golden, CO 80403, call 1-720-437-7640, or send a message to info@tooltuffdirect.com



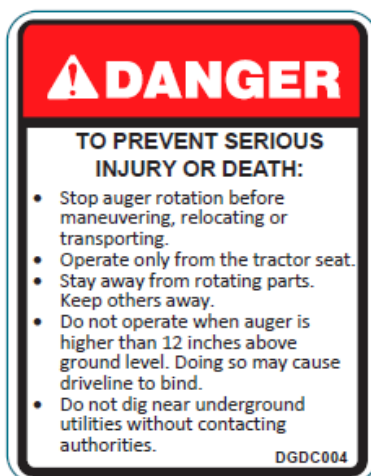
DGDC002  
4.5 w x 1.5 h



DGDC001  
2.7 w x 1.25 H



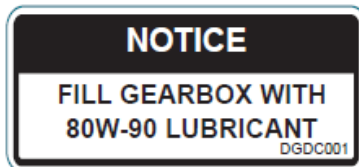
DGDC003  
2.75 w x 3.5 h



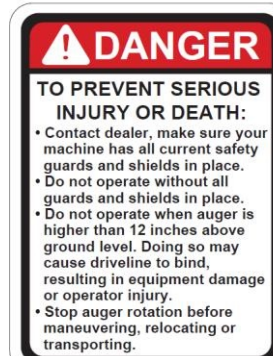
DGDC004  
2.75 w x 3.5 h



DGDC005  
2.75 w x 3.75 h



DGDC006  
2.7 w x 1.25 H



6 piece safety decal sheet  
AgKNX Post Hole Diggers  
ToolTuff Direct LLC  
15000 W 44th Ave, Ste B  
Golden CO 80403  
720-437-7640

LOCATION: PTO DRIVE SHAFT  
PART NUMBER: DGDC008



# IMPORTANT SAFETY INFORMATION



LOCATION: TOP END OF AUGER TUBE  
PART NUMBER: DGDC007

**NOTE: IF THE OUTPUT SHAFT GUARD MENTIONED IN THE ABOVE DECAL IS MISSING, ORDER A REPLACEMENT BY CONTACT US AT 720-437-7640 OR [INFO@TOOLTUFFDIRECT.COM](mailto:INFO@TOOLTUFFDIRECT.COM)**

## GENERAL SAFETY AND PREPARATION

**ALWAYS** make sure that anyone else who operates this post hole digger has read and understood the contents of the owner's manual and all safety decals on the product.

**ALWAYS** be certain that all members of the work party are familiar with the operation of the digger and the hazards associated with it.

**ALWAYS** check with authorities for underground utilities before digging a hole. Serious injury or death could result from contact with gas or electric lines.

**ALWAYS** check the tractor owner's manual for instructions on operation, attachment of 3-point equipment and safety.

**ALWAYS** make sure that all safety shields are in place and tightened down. Do not operate this post hole digger if any shields are missing. Contact AgKNX at 720-437-7640 or [info@tooltuffdirect.com](mailto:info@tooltuffdirect.com) for replacement part(s).

**ALWAYS** make sure that the auger point and cutting edges are intact and in good working order before using this digger.

**NEVER** allow children or other persons to ride on the Tractor or Implement. Falling off can result in serious injury or death.

**NEVER** allow children to play on or around Tractor or Implement. Children can slip or fall off the Equipment and be injured or killed. Children can cause the Implement to shift or fall crushing themselves or others.

**NEVER** allow others within 20 feet while operating the post hole digger.

**NEVER** operate post hole digger without all guards in place.

**ALWAYS** ensure the driveline is securely locked onto the PTO.



# IMPORTANT SAFETY INFORMATION

## OPERATING SAFETY

**ALWAYS** operate this post hole digger from the tractor seat. Only one person should operate the digger.

**NEVER** attach the post hole digger with the tractor engine running.

**NEVER** operate the post hole digger with anyone near or in contact with any part of the implement, PTO driveline or auger. Serious injury or death could result from entanglement with moving parts.

**ALWAYS** make sure that the tractor brake is set before digging a hole.

**ALWAYS** keep hands, feet and clothing away from power-driven parts during operation.

**NEVER** manually position the auger or manually force the auger into the ground.

**ALWAYS** make sure that the tractor engine is shut off and the PTO drive is disengaged before leaving the tractor seat.

**NEVER** move the tractor with the power-take-off in the ON position.

**NEVER** exceed 540 RPM PTO operating speed.

**NEVER** operate the post hole digger when the auger point is more than 6 in. above ground level. Operating the digger in elevated positions may cause the PTO driveline "U" joints to bind resulting in equipment damage and operator injury.

**ALWAYS** turn off the digger immediately if an immovable object is encountered to prevent damage to the gear box or driveshaft and possible injury. A shear bolt is provided but may become welded to the input shaft if the driveshaft is left running after being sheared.

## TRANSPORTATION SAFETY

**NEVER** allow anyone to ride on Implement.

Make certain the slow moving (SMV) sign and other reflectors are clearly visible. Follow local traffic codes for slow moving vehicles when transpotting on public roads.

## REPAIR AND MAINTENANCE SAFETY

**ALWAYS** perform maintenance operations such as lubrication, adjustments or repairs on the post hole digger with the tractor engine off, the PTO drive disengaged and the auger point resting on the ground.

**ALWAYS** use the correct shear bolt (Grade 5). **NEVER** use or replace the shear bolt with one that is longer than the one specified in the manual (5/16" x 2-1/2").

Periodically inspect all moving parts for wear and replace when necessary with authorized service parts. Look for loose fasteners, worn or broken parts, and leaky or loose fittings. Serious injury may occur from not maintaining this machine in good working order.

**Do not modify or alter this Implement. Do not permit another to modify or alter this Implement, any of its components or any Implement function. Any modification will void the warranty.**



## ASSEMBLY INSTRUCTIONS

- IMPORTANT:** The gear box is shipped without lubricant. Fill the top hole with 80W-90 lubricant or the equivalent. Approximately 1.75 quarts of the lubricant is enough to lubricate the gears and bearings. A greater amount will not harm the gear box. Do not fill to overflow point as this may damage the seals.
- STEP 1:** Be certain that the gear box has adequate lubrication. Check the oil level after every fifty hours of use.
- STEP 2:** Attach the boom (1) to the top link mounting bracket on the tractor using a top link pin and a lynch pin (not provided) through the swivel ball at the bottom of the boom. The ball accepts either category 1 or 2 pins.
- STEP 3:** Connect the "A" frame (5) to the tractor's 3-point lift arms using the 7/8 in. pull pins with nut and lockwasher (7) as shown in the drawing. Attach the "A" frame (5) to the boom (1) after selecting the desired hole (for angle adjustment) using the "A" frame pin (6) and lynch pin (4).
- STEP 4:** Attach the gear box (10) to the boom (1) using the boom pin supplied with the gear box. When in place secure with the cotter pins provided. NOTE: Input shaft shield (9) and output shaft shield (8) are already attached to the gear box.
- STEP 5:** Attach the auger (18,19,20, 25 or 26 ) to the output shaft on the bottom of the gear box (10) using the 1/2 in. hex cap screws (15), 1/2 in. lockwashers (16) and 1/2 in. hex nuts (17). Tighten the nuts.
- STEP 6:** Attach the driveline (11) to the gear box input shaft using the 3/8 in. grade 5 hex cap screw (12), the 3/8 in. lockwasher (13) and the 3/8 in. NC hex nut (14). Tighten the hex nut. Insert the 1/4 in. x 3/8 in. set screw (24) from the hardware kit in the hole on the yoke that aligns with the 3/16 in. groove on the gear box input shaft. Tighten loosely.
- ATTENTION:** THE 3/8 IN. HEX CAP SCREW PROVIDES SHEAR PROTECTION. USE A GRADE 5 3 IN. BOLT ONLY TO AVOID DAMAGE TO THE GEAR BOX OR AUGER.
- IMPORTANT:** The universal joint should be greased with a good grade chassis lube every week. At the beginning of each season grease the sliding driveshaft members with a moly grease. All diggers are equipped with quick-detach universal joints on the power-take-off end for a 1-3/8 in. splined shaft.
- STEP 7:** Attach the tractor end of the driveline (11) to the tractor PTO shaft. Push in the spring-loaded pin in the splined yoke and slip it on the splined PTO shaft of the tractor. Release the pin and push until it locks securely in place. It will be necessary to obtain a 1-1/8 in. to 1-3/8 in. sleeve spline adapter if your tractor PTO shaft has a 1-1/8 in. spline.
- STEP 8:** Attach and secure the lower chain on the driveline to the boom (1). Attach the upper chain to the hole on the gear box shield (9).
- STEP 9:** Check all nuts and bolts for tightness. Stabilizers should be kept tight to avoid side sway of the digger.
- NOTE:** See illustration A for reference in assembling the digger and mounting it to the tractor. Note that the boom angle can be adjusted on your tractor for proper digging and ground clearance by moving the "A" frame to a different mounting hole as shown in illustration B.
- NOTE:** When the 7/8 in. diameter pull pins in the "A" frame are too small for the holes in the lift arms, bushings should be used to obtain a proper fit



ILLUSTRATION A

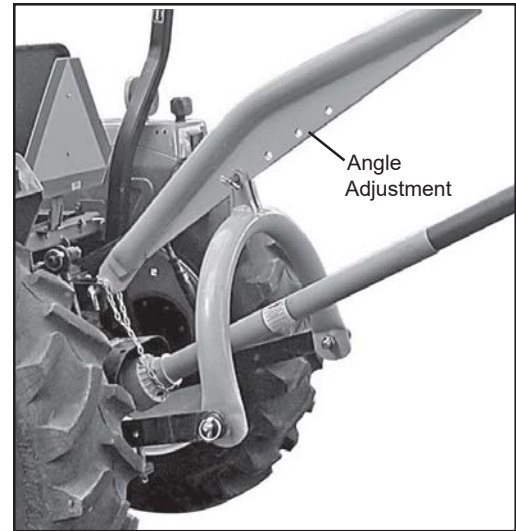


ILLUSTRATION B

## OPERATING INSTRUCTIONS



**WARNING:** *Read and thoroughly understand all instructions and safety information before operating this post hole digger. Failure to do so may cause serious injury or death. Do not allow anyone to operate this post hole digger who has not read this manual.*

**STEP 1:** After mounting the digger to the tractor, lower the auger point slowly to the ground at the desired digging angle before engaging power.

**STEP 2:** Engage the power-take-off and start digging at a slow speed, lowering the auger slowly as it begins to dig.

**STEP 3:** Increase speed as the auger goes deeper. The type of soil will determine the proper auger speed. If the soil is extremely hard, it will generally improve operation to vary the speed of the auger at times.

**STEP 4:** When the auger has reached the desired depth, spin it momentarily at a high speed to clear the hole of dirt. Reduce speed before withdrawing the auger from the hole.

**STEP 5:** Disengage the power-take-off after withdrawing from the hole and move the tractor to the next hole location.

## GENERAL MAINTENANCE

REFER TO ILLUSTRATION C



**WARNING:** *Always perform maintenance operations with the tractor engine off, the PTO drive disengaged and the auger point resting on the ground.*

1. To remove the auger from the gear box output shaft, take out the two 1/2 in. x 3-1/2 in. hex cap screws (15).
2. To remove the driveshaft from the gear box input shaft, take out the shear pin bolt (12) and 1/4 in. set screw (24).
3. Check the oil level after every fifty hours of use. Use 80W-90 lubricant and fill to oil level plug. All replacement lubricant should be of this type.
4. The universal joints should be greased with a good grade chassis lube every week. At the beginning of each season, grease the sliding driveshaft members with a moly grease.



## HEAVY DUTY POST HOLE DIGGER PARTS BREAKDOWN

REFERENCE NUMBER	PART NUMBER	DESCRIPTION	NUMBER REQUIRED
	DIGT1500	Heavy Duty Post Hole Digger less Auger	1
1	DIGT301	Boom	1
2	DIGT002P	Boom/Gear Box Pin	1
4	LKLP044	7/16 in. Lynch Pin	1
5	DIGT303	"A" Frame	1
6	LKTP102	"A" Frame Pin	1
7	LKDP101	7/8 in. Pull Pin with Nut and Lockwasher	2
8	DIGT213	Gear Box Output Guard	1
9	DIGT214	Gear Box Input Guard	1
10	DIGT211	Gear Box w/Shields	1
11	PTOLD1500	Driveline with Plastic Shield	1
11A	PTOLD15G	Driveline Guard Assembly	1
11B	PTOLD16Y	Push Pin Yoke	1
11C	PTOLD15I	Implement End Yoke	1
11D	PTOLD15B	Cross and Bearing Kit	2
11E	O/L	1/4" x 3/8" Pointed Set Screw	1
		3/8 in. x 3 in. Hex Cap Screw(Grade 5 Shear Bolt )	1
12	O/L	Bolt )	1
13	O/L	3/8 in. Lockwasher	1
14	O/L	3/8 in. NC Hex Nut	1
15	O/L	1/2 in. NC x 3 in. Hex Cap Screw	2
16	O/L	1/2 in. Lockwasher	2
17	O/L	1/2 in. NC Hex Nut	2
18	AUGT106	6 in. Heavy Duty Auger	1
19	AUGT109	9 in. Heavy Duty Auger	1
20	AUGT112	12 in. Heavy Duty Auger	1
23	AUGT102	Spiral Point	1
24	O/L	1/4 in. x 3/8 in. Set Screw	1
25	AUGT118	18 in. Auger	1
26	AUGT124	24 in. Auger	1

O/L- Obtain locally. Common fasteners available through hardware and farm stores.

NOTE: All augers are sold separately.



## CUTTING EDGES AND POINT PARTS BREAKDOWN

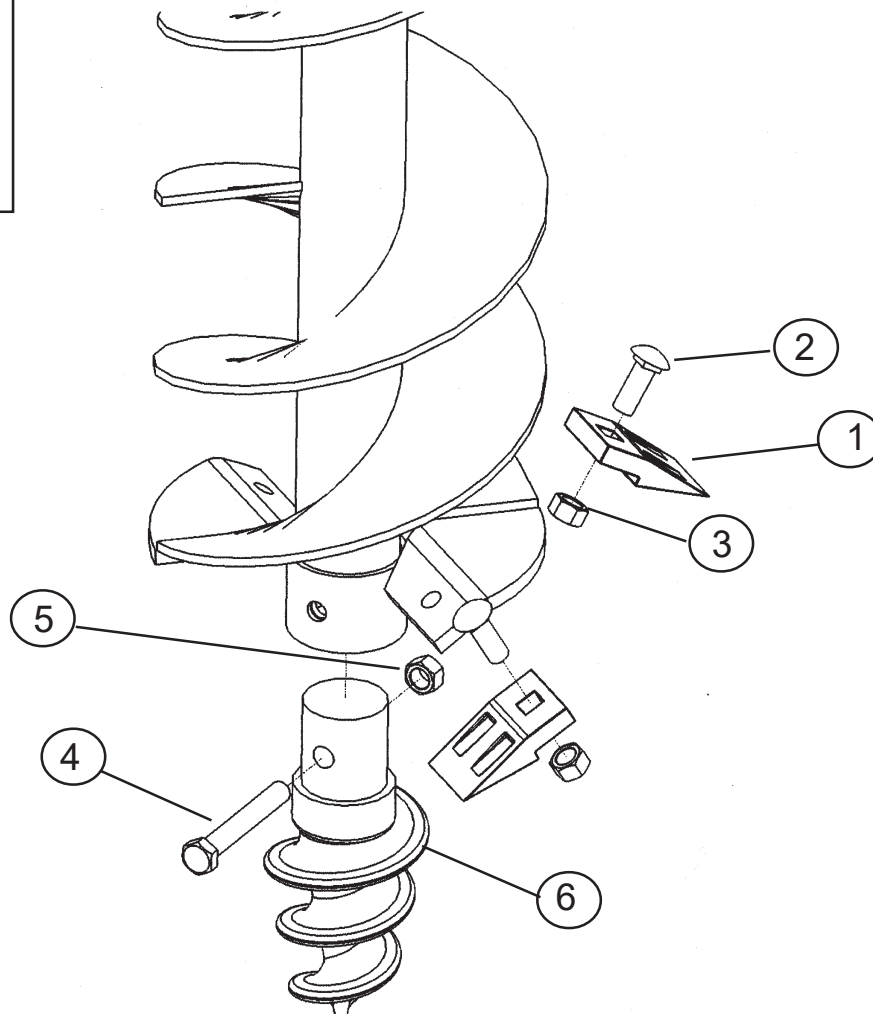
REFERENCE NUMBER	PART NUMBER	DESCRIPTION	NUMBER REQUIRED*
1	AUGT406	Carbide Cutting Edge Pair	varies by auger
2	O/L	1/2" x 1" UNC Carriage Bolt	1 per cutting edge
3	O/L	1/2" UNC Lock Nut	1 per cutting edge
4	O/L	1/2" x 3-1/2" Bolt	1
5	O/L	1/2" Lock Nut	1
6	AUGT102	Auger Point	1

O/L- Obtain locally. Common fasteners available through hardware and farm stores.

\*NOTE: The number of cutting edges varies by auger size. Check your auger when ordering replacement cutting edges. See information below.

### ILLUSTRATION D

Number of Cutting Edge Pairs Per Auger
6 in. - 1
9 in. - 1
12 in. - 2
18 in. - 2
24 in. - 3



NOTE: It is important to replace the point and cutting edges when they show signs of excessive wear.

# == NOTES ==

Model No. \_\_\_\_\_

Date of Purchase \_\_\_\_\_

Place of Purchase \_\_\_\_\_

---

---

---

---

# == NOTES ==

## SPECIFICATIONS

Tractor Category	Category 1 and Category 2
Gear Box	Special alloy pinion gears and tapered roller bearings on both sides of each gear
Driveline	1-3/8" quick-attach yoke to fit standard 6-spline PTO (completely shielded)
Augers	6 in., 9 in., 12 in., 18 in. and 24 in. (sold separately)
Cutting Edges	Replaceable, carbide (sold separately)
Point	Spiral tip (sold separately)
Boom	3-1/4 in. in. O.D. high strength tubing with tapered rib and multiple holes for height adjustment
A-frame	3-1/4 in. high strength tubing
Safety shields	On driveline, gear box "U" joint and gear box output shaft
Shear Bolt	Replaceable. On input shaft to protect driveline, auger and gears.
Options	Hydraulic down force kit and weight mounting kit

## ORDERING INFORMATION

PART NUMBER	DESCRIPTION
DIGT1500	Heavy Duty post hole digger less auger
AUGT106	6 in. auger with spiral point and replaceable carbide cutting edges
AUGT109	9 in. auger with spiral point and replaceable carbide cutting edges
AUGT112	12 in. auger with spiral point and replaceable carbide cutting edges
AUGT118	18 in. auger with spiral point and replaceable carbide cutting edges
AUGT124	24 in. auger with spiral point and replaceable carbide cutting edges
AUGT102	Spiral point for 6 in., 9 in., 12 in., 18 in. and 24 in. augers
AUGT406	2 in. carbide cutting edge for 6 in., 9 in., 12 in., 18 in. and 24 in. augers (Comes as pair. Quantity required varies by auger size.)



# Registration

WARRANTY VOID IF REGISTRATION IS NOT MAILED WITHIN 15 DAYS OF RECEIVING ITEM.

Fill out this page and mail to the address below.  
Also found at [www.tooltuffdirect.com](http://www.tooltuffdirect.com)

Digger Model # \_\_\_\_\_

Purchase Date \_\_\_\_/\_\_\_\_/\_\_\_\_

Purchased From: \_\_\_\_\_ Purchaser: \_\_\_\_\_

Owner's Address: \_\_\_\_\_

City: \_\_\_\_\_ ST: \_\_\_\_\_ Zip Code: \_\_\_\_\_

Phone: \_\_\_\_\_ Email: \_\_\_\_\_

**\*\*\*Attach a Copy of Proof of Purchase\*\*\***

### Acceptance of responsibility:

I (Purchaser) have read operators manual and Limited Warranty or someone has read/and explained all instructions to me. I understand this warranty does not cover any labor and that all disputes will be settled by binding arbitration. Warranty void if any attempt to repair or replace defective parts has been made by unauthorized personnel. I have received my Owner's Manual and fully understand the stipulations. The mark next to each item below confirms my acceptance of responsibility for the use and maintenance of this Post Hole Digger. I understand that I alone am responsible for proper maintenance, care and safe operation of this Post Hole Digger.

- Received and read or will read prior to use the Operators Manual, specifically the safety warnings
- Specifications accepted
- Controls understood
- Maintenance Requirements understood
- Storage of Log Splitter

I (purchaser) also understand that persons not familiar with the operation of this equipment should not be allowed to use it. Children especially should not operate or be near equipment. ANYONE OPERATING EQUIPMENT SHOULD HAVE READ ALL EQUIPMENT OPERATIONS MANUALS AND SAFETY MANUALS.

Is this Post Hole Digger used in a business NO  YES If yes, business type: \_\_\_\_\_

Owners Signature: x \_\_\_\_\_ Date: \_\_\_\_/\_\_\_\_/\_\_\_\_

It is recommended that a copy of the registration be given to the seller.

You must sign this warranty and mail copy to **AgKNX, 15000 W 44th Avenue Suite B. Golden, CO, 80403**. This warranty is not effective unless the Purchaser mails this Registration and Warranty Form **within 15 days of purchase**. NOTE: The Manufacturer may refuse warranty of any kind unless AgKNX receives a completed, legible and signed warranty registration. It is the responsibility of the purchaser to assure that this registration document is received by AgKNX.